

## C-Nav<sup>®</sup> Combiner

Combining GNSS and L-band signals



### FEATURES

Enables use of separate GNSS and L-band antennas

Extends high latitude operation

Bridge or mast mounting

# C-Nav<sup>®</sup> Combiner

## Combining GNSS and L-band signals

### Specifications

|                  |  |
|------------------|--|
| Type             | Passive, interdigital filter diplexer          |
| L-band passbands | 1,525-1,552 MHz                                |
| GNSS passbands   | 1,558 MHz - 1,611 MHz<br>1,164 MHz - 1,300 MHz |
| Insertion loss   | 3 dB   |

### Power requirements

|               |         |
|---------------|---------|
| Input voltage | Passive |
|---------------|---------|

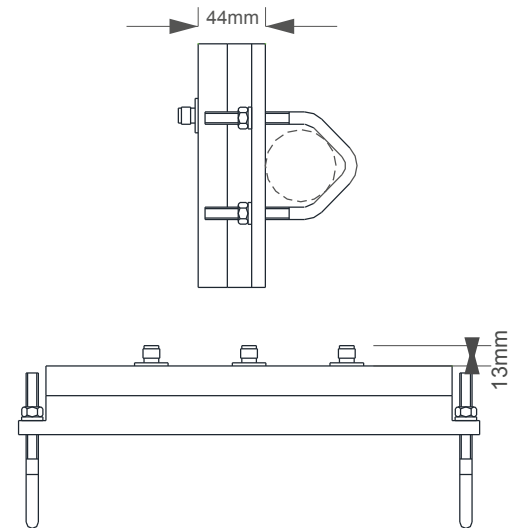
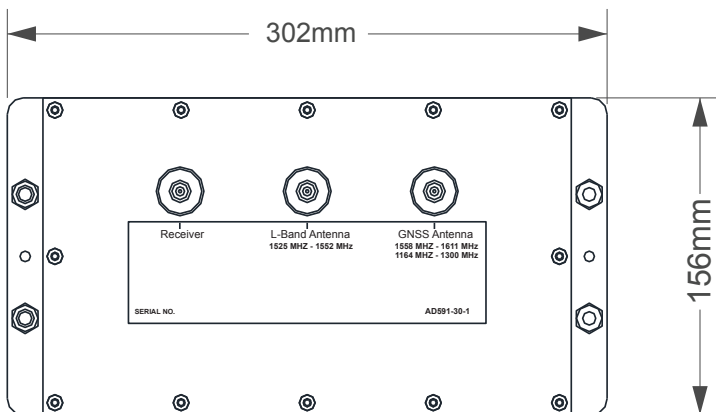
### Environmental

|                                   |                                    |
|-----------------------------------|------------------------------------|
| Operating and storage temperature | -40° F to 185° F / -40° C to 85° C |
| Ingress protection rating         | IP 68                              |

### Mechanical

|                        |   |
|------------------------|---|
| Enclosure construction | Hard anodized, dichromate, and nickel acetate-sealed aluminum with green finish |
| Cable connectors       | TNC Female  |
| Dimensions             | 11.89 in x 6.14 in / 302 mm x 156 mm  |
| Weight                 | 8.2 lb / 3.72 kg  |
| Mounting               | Aluminum brackets with clamps (included)  |

### Combiner Drawing



- For more information: [oceanearing.com/cnav](http://oceanearing.com/cnav)

© 2018 Oceanearing International, Inc. All rights reserved.