

C-Nav289 Antenna

GNSS Antenna



FEATURES

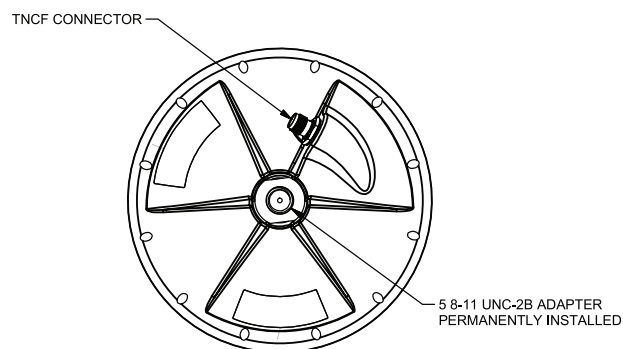
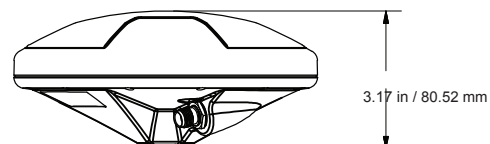
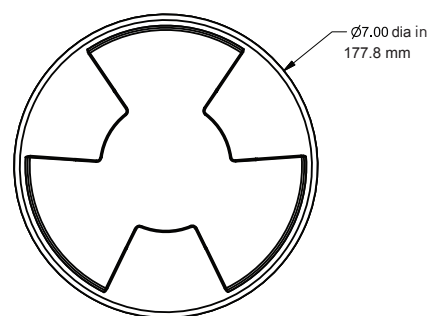
Tracks all GNSS constellations, C-Nav[®] corrections, and SBAS

INMARSAT and IRIDIUM rejection filters

All-polymer housing, non-corrosive design

C-Nav289 Antenna

Specifications		Mechanical		
Polarization	Right hand circular (RHC)	Enclosure construction	Weather-resistant polymer housing	
Axial rotation	3 dB maximum @ boresight	Cable connector	TNC female	
Radiation coverage	+5.0 dBic	0° = 0°	Dimensions	
	-2.0 dBic	0° < θ < 75°		7.00 in x 3.17 in /
	-3.0 dBic	75° < θ < 80°		177.8 mm x 80.52 mm
	-4.0 dBic	80° < θ < 85°		Weight
	-5.0 dBic	Horizon		
Passbands	L-Band/GPS L1 /GLONASS G1/Galileo E1/Beidou B1:1,525 - 1,610 MHz GPS L2/GLONASS G2/Galileo E5a, E5b/ Beidou B2: 1,160-1,252 MHz		Mounting	
Out of band Rejection	> 90 dB [INMARSAT uplink] > 65 dB [IRIDIUM uplink]			5/8 in - 11 UNC-2B thread mount
Antenna Phase Center	L1 = 2.35 in / 59.7mm L2 = 2.72 in / 69.1mm			
Low-noise amplifier (LNA) / filter combined gain	39 dB (\pm 2 dB)			
Total noise figure (NF)	2.6 dB (max)			
Voltage standing wave ratio (VSWR)	\leq 2:1			
Impedance	50 ohms			
Power requirements				
Input voltage	+4.2 V to +15 VDC			
Power consumption	65 mA [max]			
Environmental				
Operating temperature	-40° F to 158° F/ -40° C to +70° C			
Storage temperature	-67° F to 185° F / -55° C to +85° C			
Ingress protection rating	IP 67			



■ For more information: oceanearing.com/cnav

© 2018 Oceanearing International, Inc. All rights reserved.