

C-Nav286 Antenna

GNSS Antenna



FEATURES

Tracks GPS, GLONASS, C-Nav[®] Corrections, and SBAS

Greater than 90dB out-of-band rejection filter

Excellent tracking performance and stable phase center

C-Nav286 Antenna

Specifications

| | |
|--|---|
| Polarization | Right hand circular (RHC) |
| Axial rotation | 3 dB maximum @ boresight |
| Radiation coverage | +5.0 dBic 0° = 0° |
| | -2.0 dBic 0° < Θ < 75° |
| | -3.0 dBic 75° < Θ < 80° |
| | -4.0 dBic 80° < Θ < 85° |
| | -5.0 dBic Horizon |
| Passbands | L-Band / GPS L1 / GLONASS : 1,525 to 1,611 MHz GPS L2 / L5 GLONASS: 1,164 to 1,254 MHz |
| Out of band Rejection | > 90 dB @ 1,626.5 to 1,660 MHz (INMARSAT up link) |
| Antenna phase Center | L1 = 3.27 in / 83.15 mm L2 = 3.28 in / 83.35 mm |
| Low-noise amplifier (LNA) / filter Combined gain | 39 dB (\pm 2 dB) |
| Total noise figure (NF) | 2.6 dB (max) |
| Voltage standing wave ratio (VSWR) | \leq 2:1 |
| Impedance | 50 ohms |

Power requirements

| | |
|-------------------|-------------------|
| Input voltage | +4.2 V to +15 VDC |
| Power consumption | 66 mA (max) |

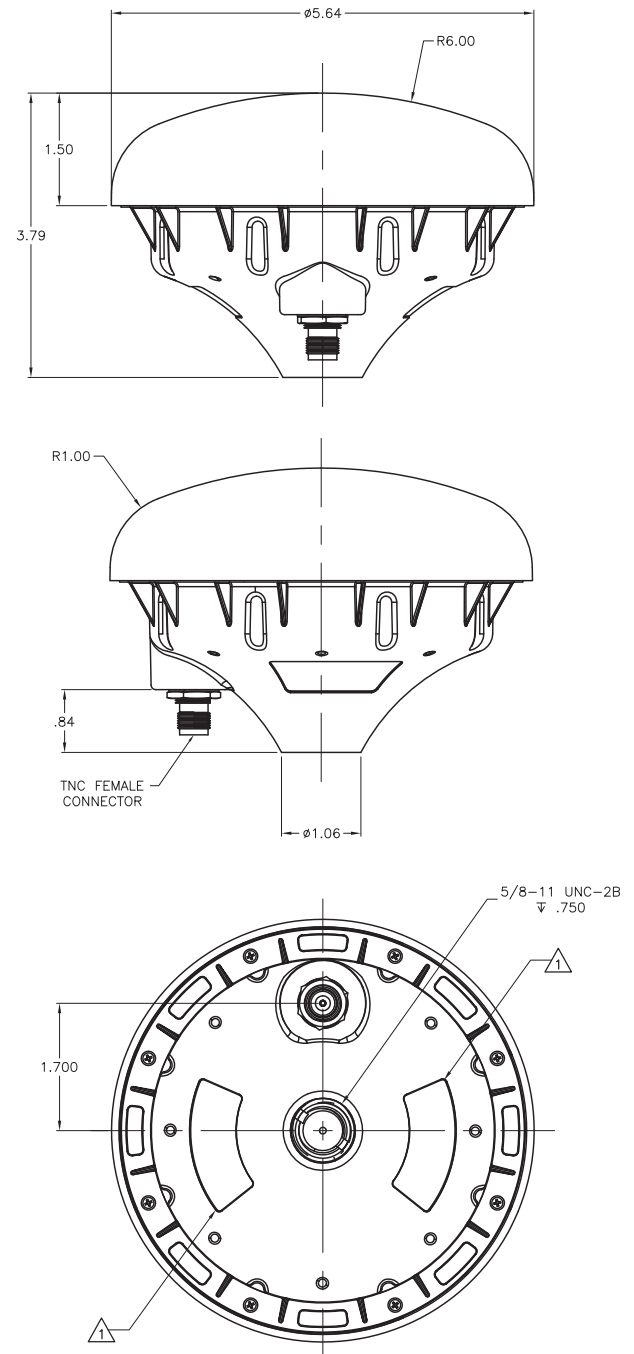
Environmental

| | |
|---------------------------|-------------------------------------|
| Operating temperature | -67° F to 158° F / -55° C to +70° C |
| Storage Temperature | -40° F to 185° F / -55° C to +85° C |
| Ingress protection rating | IP 67 |

Mechanical

| | |
|------------------------|--|
| Enclosure construction | Radome - Thermoplastic, base plate - aluminum alloy, corrosion resistant, coated |
| Cable connector | TNC Female |
| Dimensions | 5.64 in x 3.79 in / 143.3 mm x 96.3 mm |
| Weight | 1.2 lb / 0.54 kg |
| Mounting | 5/8 in-11 UNC-2B Thread Mount |

Antenna Drawing



© 2022 Oceaneering International, Inc. All rights reserved.