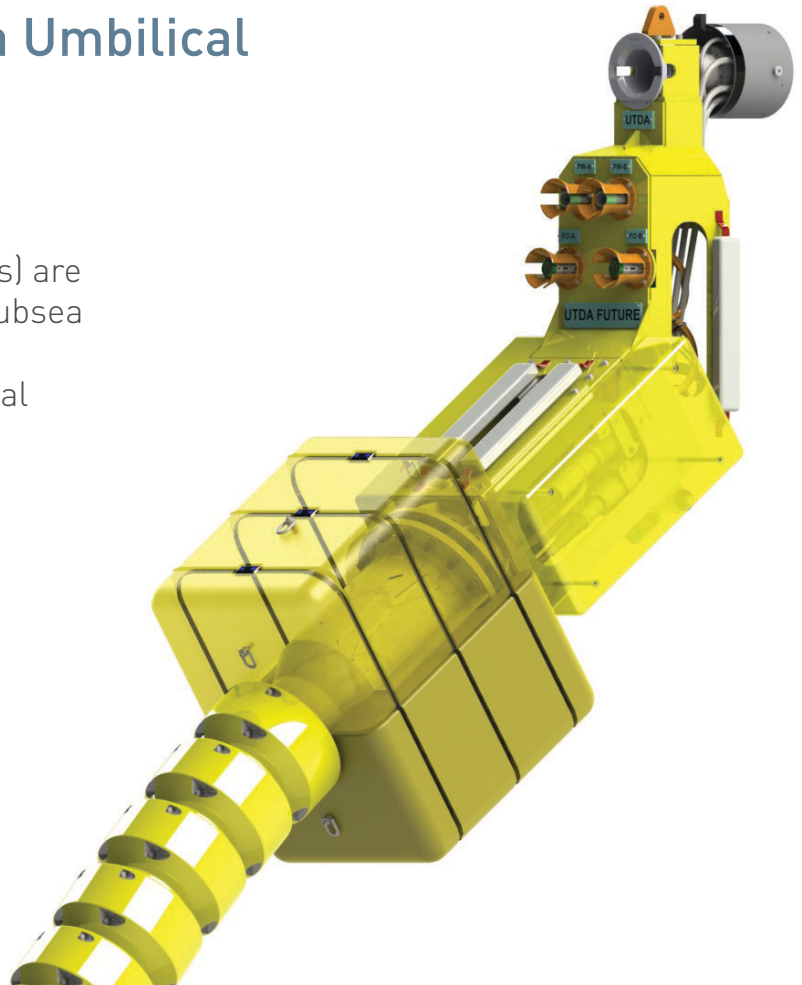


# Umbilical Termination Head

## ROV-Operated Subsea Umbilical Connection System

Umbilical termination heads (UTHs) are a simple solution for connecting subsea umbilicals to subsea architecture and eliminate the need for umbilical termination assemblies (UTAs) or hydraulic flying leads (HFLs).



### FEATURES

**ROV-operated**

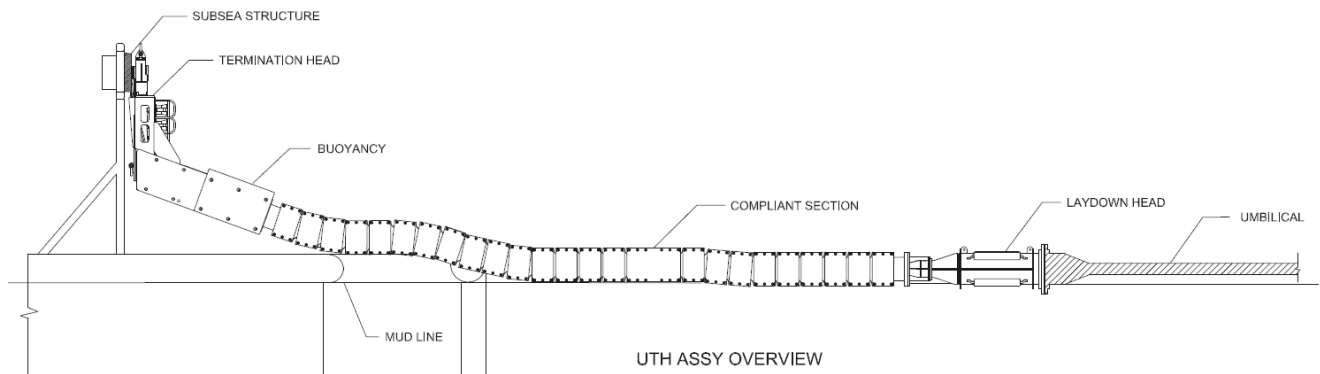
**Incorporates Oceaneering<sup>®</sup> M series junction plates**

**Accommodates electrical or optical flying leads, if necessary**

# Umbilical Termination Head

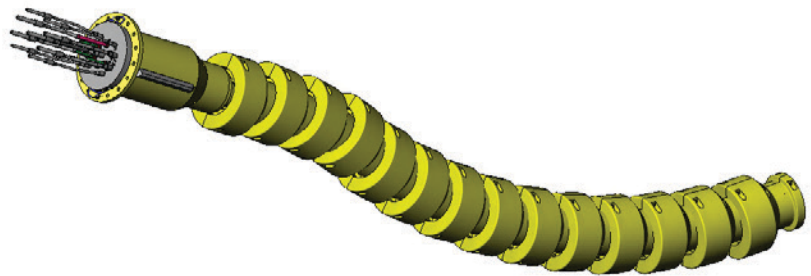
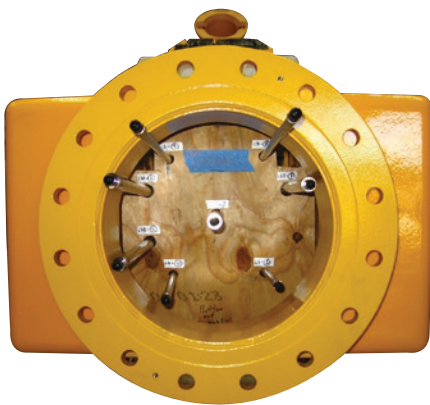
## ROV-Operated Subsea Umbilical Connection System

UTHs can be configured to suit project-specific applications and include standard and modular components. By eliminating one connection point from the system and connecting umbilical functions directly to subsea equipment, UTHs provide a reliable and cost-effective alternative to UTAs and flying lead systems.



## Technical Data

Typical applications and advantages	Used in place of flexible and low-complexity umbilicals
Umbilical types	Armored and unarmored steel tube or thermoplastic hose umbilicals
Termination head weldment options	20°, 40°, or 90°
Connection angle	0° or 90°
Hydraulic connections	Oceaneering M Series junction plates (or free-issued plates, if required)
Electrical and optical connections	Optional, via 3rd party flying leads and subsea connectors
Buoyancy	Optional, depending on overall assembly weight
Bend protection	Bend stiffener or bend limiters (polyurethane and steel options - 90° coverage is typical)
Cathodic protection	Per DNV-RP-401 (25 years)



© 2016 Oceaneering International, Inc. All rights reserved.