

## Standard Antenna



### FEATURES

**Tracks GPS / GLONASS / C-Nav Corrections / SBAS**

**Ideal for high precision multi-frequency applications**

**Excellent tracking performance and stable phase center**

# Standard Antenna

## Specifications

Frequency	GPS L1: 1575.42 MHz, $\pm$ 16 MHz GPS L2: 1227.60 MHz, $\pm$ 16 MHz GPS L2C: 1227.60 MHz, $\pm$ 16 MHz GPS L5: 1176.45 MHz, $\pm$ 16 MHz C-Nav L-Band 1525.00 - 1585 MHz GLONASS G1: 1603.00 MHz, $\pm$ 6.5 MHz GLONASS G2: 1247.00 MHz, $\pm$ 5 MHz
Polarization:	RHC ( Right Hand Circular)
Antenna Phase Center:	GPS L1 = 2.60 in / 66 mm GPS L2 = 2.56 in / 65 mm
LNA / Filter Combined Gain:	39 dB ( $\pm$ 2 dB)
Total Noise Figure (NF):	2.6 dB (max)
VSWR:	$\leq$ 2.0:1 (14 dB return loss)
Impedance:	50 Ohms
Band Rejection	20 dB @ 250 MHz

## Power Requirements

Input Voltage:	+4.2 V to +15 VDC
Power Consumption:	50 mA @ 5 VDC
RF Power Handling	1 Watt

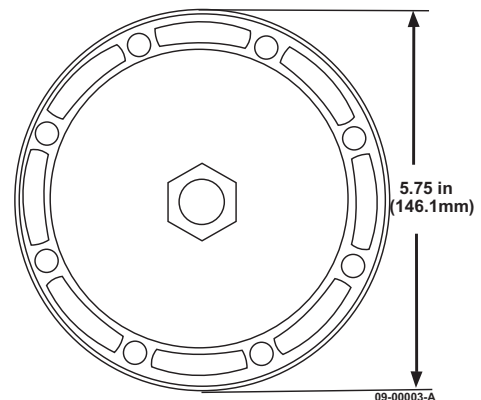
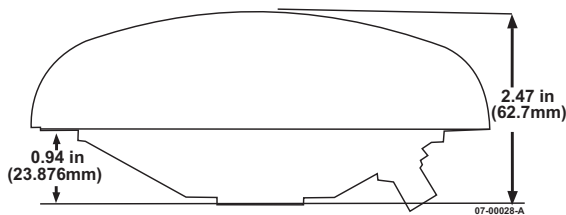
## Environmental

Operating Temperature:	-55° C to +85° C / -40° F to 185° F
Altitude	70,000 ft / 21,336 m
Vibration:	RTCA D0-160 E, Section 8, Curve D
Immersion:	MIL-STD-810F, Method 512.4
Water/Dust:	IP 67

## Mechanical

Antenna Finish:	Fluid resistant Ultem, UV stable
Cable Connector:	TNC Female
Dimensions:	5.75 in x 2.44 in / 146 mm x 62 mm
Weight:	1 lb / 0.45 kg
Mounting:	5/8 in - 11 UNC-2B Thread Mount

## Antenna Drawing



- For more information: [oceanearing.com/cnav](http://oceanearing.com/cnav)