

## Base GNSS Antenna



### FEATURES

**Tracks GPS/GLONASS/C-Nav<sup>®</sup> Corrections/SBAS**

**Reduces multipath error for RTK corrections**

**Excellent tracking performance and stable phase center**

# Base GNSS Antenna

## Frequencies

GPS L1	1,575.42 MHz, $\pm$ 16 MHz
GPS L2	1,227.60 MHz, $\pm$ 16 MHz
GPS L2C	1,227.60 MHz, $\pm$ 16 MHz
GPS L5	1,176.45 MHz, $\pm$ 16 MHz
C-Nav <sup>®</sup> L-Band	1,525 - 1,585 MHz
GLONASS G1	1,603.00 MHz, $\pm$ 6.5 MHz
GLONASS G2	1247.00 MHz, $\pm$ 5 MHz

## Specifications

Polarization	Right Hand Circular (RHC)
Antenna phase center	GPS L1 = 3.17 in / 80.6 mm GPS L2 = 3.81 in / 96.7 mm
LNA/filter combined gain	39 dB ( $\pm$ 2 dB)
Total noise figure (NF)	2.6 dB (max)
Voltage standing wave ratio (VSWR)	$\leq$ 2.0:1 (14 dB return loss)
Impedance	50 ohm
Band rejection	20 dB @ 250 MHz

## Power requirements

Input voltage	4.2 V - 15 V DC
Power consumption	50 mA @ 5 V DC
Radio frequency (RF) power handling	1 W

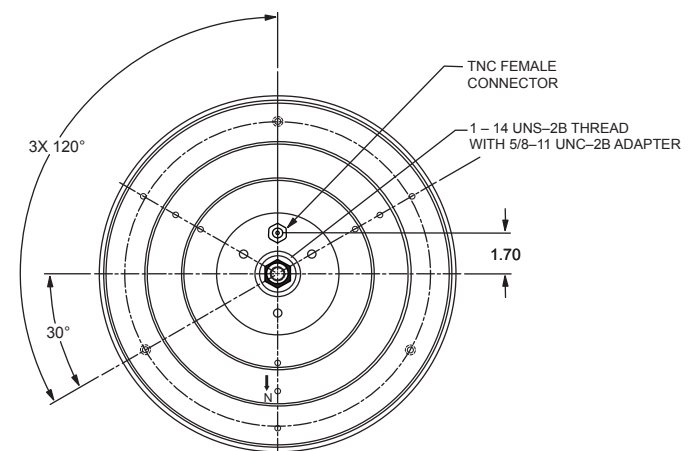
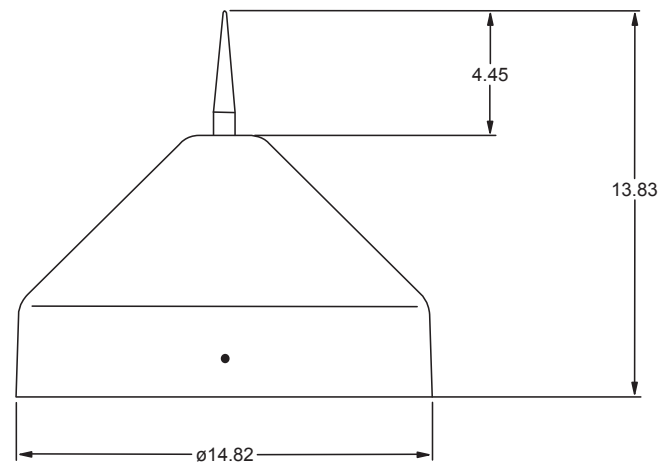
## Environmental

Operating temperature	-55° to 85° C / -40° to 185° F
Altitude	70,000 ft / 21,336 m
Vibration	RTCA/DO-160E Section 8, curve D
Immersion	MIL-STD-810F, method 512.4
Ingress protection rating	IP 67

## Mechanical

Antenna finish	Fluid resistant ULTEM, UV stable
Cable connector	TNC female
Dimensions	14.82 in x 13.83 in / 376 mm x 351 mm
Weight	10.5 lb / 4.8 kg
Mounting	1-14 UNS-2B thread with 5/8-11 UNC-2B adapter

## Antenna Dimensions



■ For more information: [oceanering.com/cnav](http://oceanering.com/cnav)

© 2018 Oceanering International, Inc. All rights reserved.