

## C-NAV<sup>®</sup> AD591

GNSS Antenna



### FEATURES

Tracks GPS / GLONASS / C-Nav<sup>®</sup> Corrections / SBAS

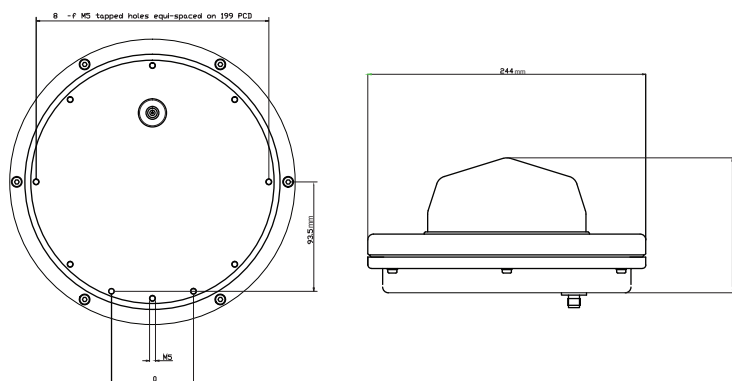
Greater than 95dB out of band rejection filter

Excellent tracking performance and stable phase center

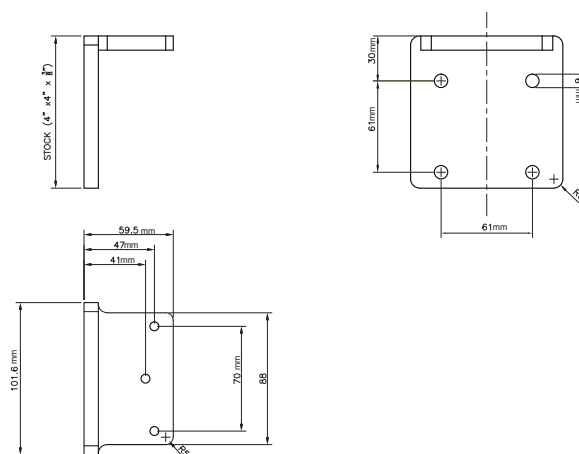
# AD591

Specifications		Power requirements	
Antenna Type:	Dual patch stacked antenna elements	Input voltage	+5 V to +20 V DC
Polarization:	RHCP (+/- 0.5dB at zenith) and Omnidirectional in azimuth	Power consumption	45 mA (maximum)
Passbands:	L-Band/GPS L1/GLONASS: 1525 - 1611 MHz GPS L2/L5 / GLONASS: 1164 - 1254 MHz	<b>Environmental</b>	
Out of Band Rejection:	>95 dB @ 1626.5 - 1660 MHz (INMARSAT up link)	Operating temperature	-40° F to 185° F / -40° C to +85° C
Antenna Phase Center:	L-Band/GPS L1 61 mm / 2.40 in above base GPS L2, L2C, L5 and GLONASS 54 mm / 2.13 in above base	Storage temperature	-40° F to 185° F / -40° C to +85° C
LNA / Filter Combined Gain:	39 dB	Ingress protection rating	IP67
Total Noise Figure (NF):	3 dB (Typical)	<b>Mechanical</b>	
Impedance:	50 Ohms	Enclosure construction	Hard-anodized, dichromate, and nickel acetate sealed aluminum with .12 in / 4 mm thick GRP pressure molded radome
Power Requirements	Input Voltage: +5V to +20V dc Power Consumption: 45 mA (max)	Cable connector	TNC female
		Dimensions	9.6 in x 4.57 in / 244 mm x 116 mm
		Weight	8.82 lb / 4 kg
		Mounting	Aluminum bracket with clamps (included)

## Antenna Drawing



## Mounting Bracket Drawing



© 2017 Oceaneering International, Inc. All rights reserved.