



**Mechanical Specifications**

Size (L x W x H)	82.2mm (3.2") x 340mm (13.4") x 260mm (10.2")
Weight	4.8 kg (10.6 lbs)
Display	10.4" TFT LCD, 1024x768, 400 nit, Resistive TS
CPU	1.0 GHz VIA 7C, 512 MB, 2GB CF

**Power Input Specifications**

Input Voltage	12 VDC +/- 5% (24-12VDC converter available)
Consumption	30 W

**Power Supply**

Size (L x W x H)	31mm (1.2") x 110mm (4.3") x 62mm (2.4")
Connector	Conxall, Micro-Con-X 16282-2SG-311
Input Voltage	90 – 264 VAC
Power	60 W
Frequency	47 - 63 Hz
Output Voltage	12 VDC (+/- 5%)
Operating Temperature	0° C ~ +40° C
Storage Temperature	-20° C ~ +65° C
Humidity	Operating: 20 ~ 80% RH; Storage: 10 ~ 90% RH

**Connectors**

DC Power	Conxall, Micro-Con-X 17282-2PG-300
I/O Ports	4 x 9 pin RS-232 DBM (RS232-422 converter available)
Keyboard/Mouse	PS/2
LAN	1 x 100/1000 Mbps
USB	2 x 2.0
VGA	1 x 15 pin DBF
Printer, Parallel	1 x 25 pin DBF

**Environmental Specifications**

Operating Temperature	0° C to +60° C
Storage Temperature	-20° C to +85° C
Humidity	5 - 90% @ 60° C, non-condensing

### C-NaviGator II Mounting Options

**Option #1:** Allows mounting from ceiling, wall or desktop with fully adjustable positioning.



**Figure 4:** RAM 100 75 VESA Base (w/ Steel Reinforce) / RAM-D-246U-IN1  
This piece fits to the standard VESA mounting holes on the back of the C-NaviGator.



**Figure 5** RAM Double Socket Arms

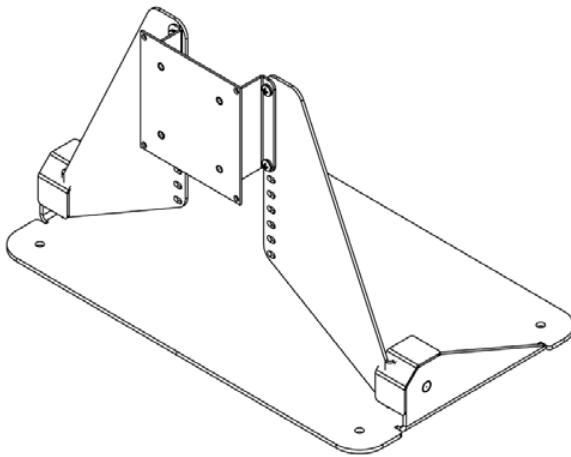
- RAM-D-201U-C / RAM Double Socket Arm SHORT (3.63")
- RAM-D-201U / RAM Double Socket Arm MEDIUM (6.88")
- RAM-D-201U-E / RAM Double Socket Arm LONG (11.75")

Choose from one of the arms above. We recommend the medium length.



**Figure 6:** RAM 11" X 3" Base (w/ Steel Reinforce) / RAM-D-111B-IN1U (left) &  
RAM 3.68 DIA. BASE (w/ Steel Reinforce) / RAM-D-202U-IN1 (right)  
This piece is fixed to the ceiling, counter top or wall.

**Option #2:** Desktop Stand



**Figure 7:** Flat Screen Table Stand (for C-NaviGator II) / CHIFSB018BLK

**Option #3:** Wall Mount

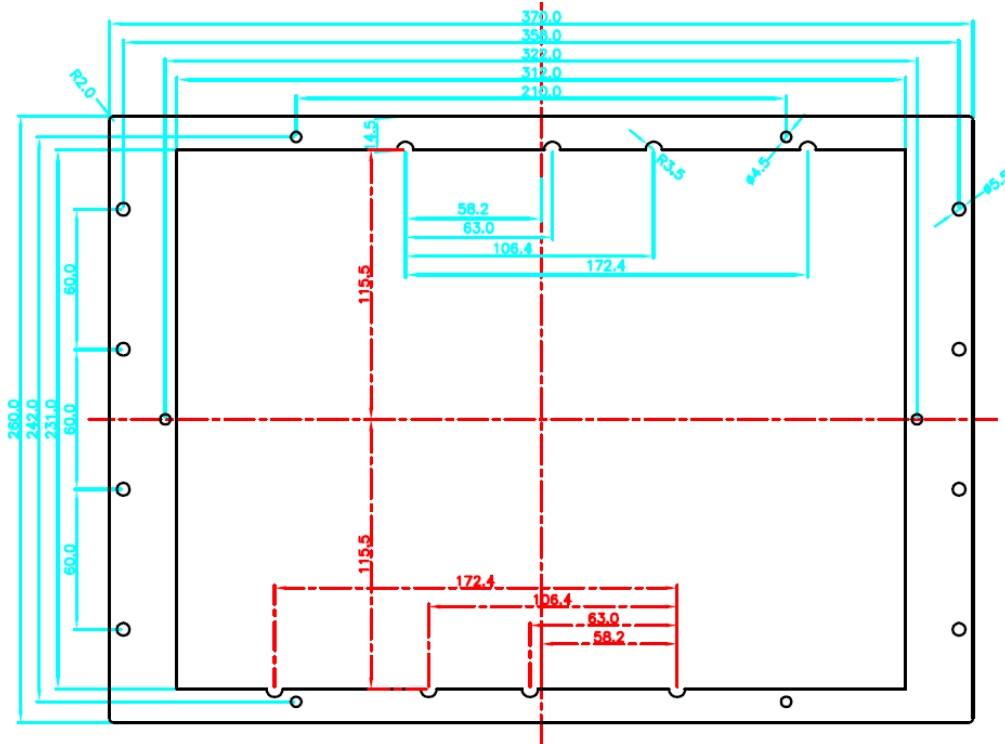


**Figure 8:** Tilting VESA Wall Mount (for C-NaviGator II) / PEEST630

**Option #4: Front Panel Mount**



*Use this adaptor if unable to secure display from the back. Appropriate hardware is included to secure the C-NaviGator to the Front Panel Mount prior to mounting. Bolt thread size is M4 x 6mm*

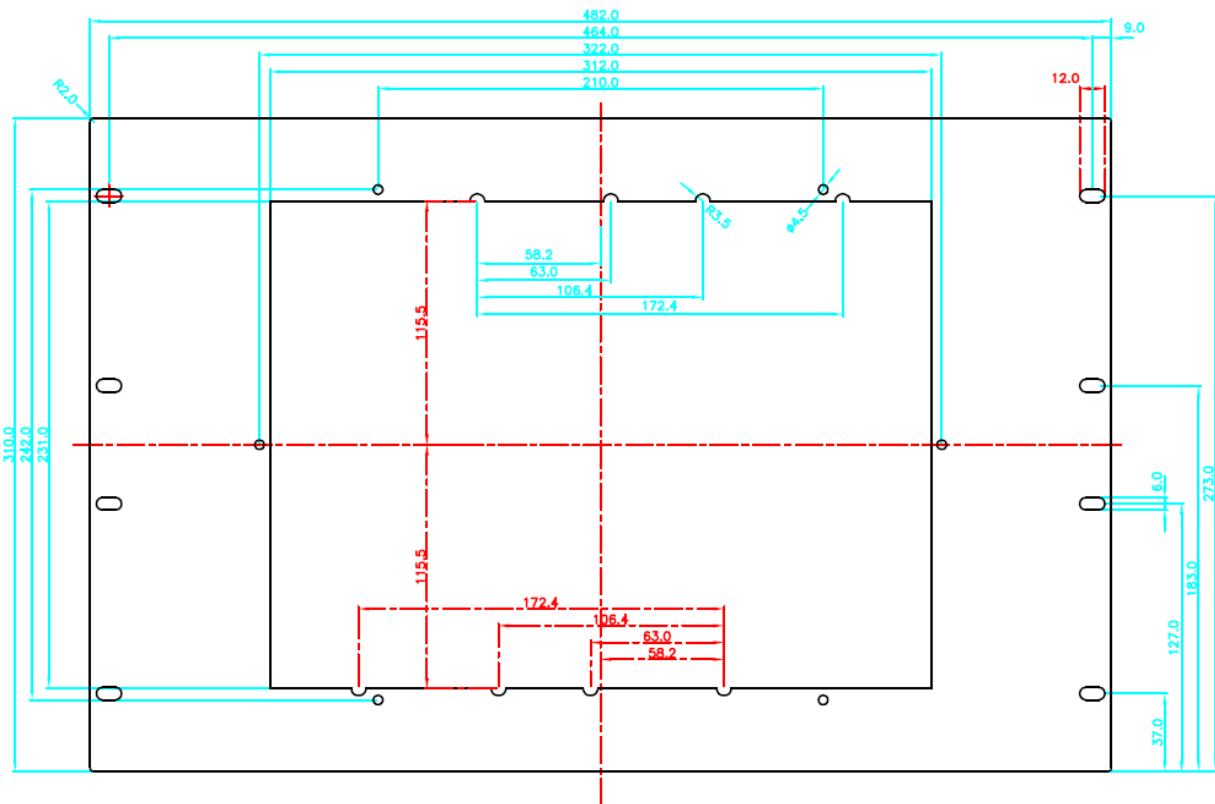


**Figure 9: Front Mount Kit (for C-NaviGator II) / SYNIWO-6710-7CRBR2**

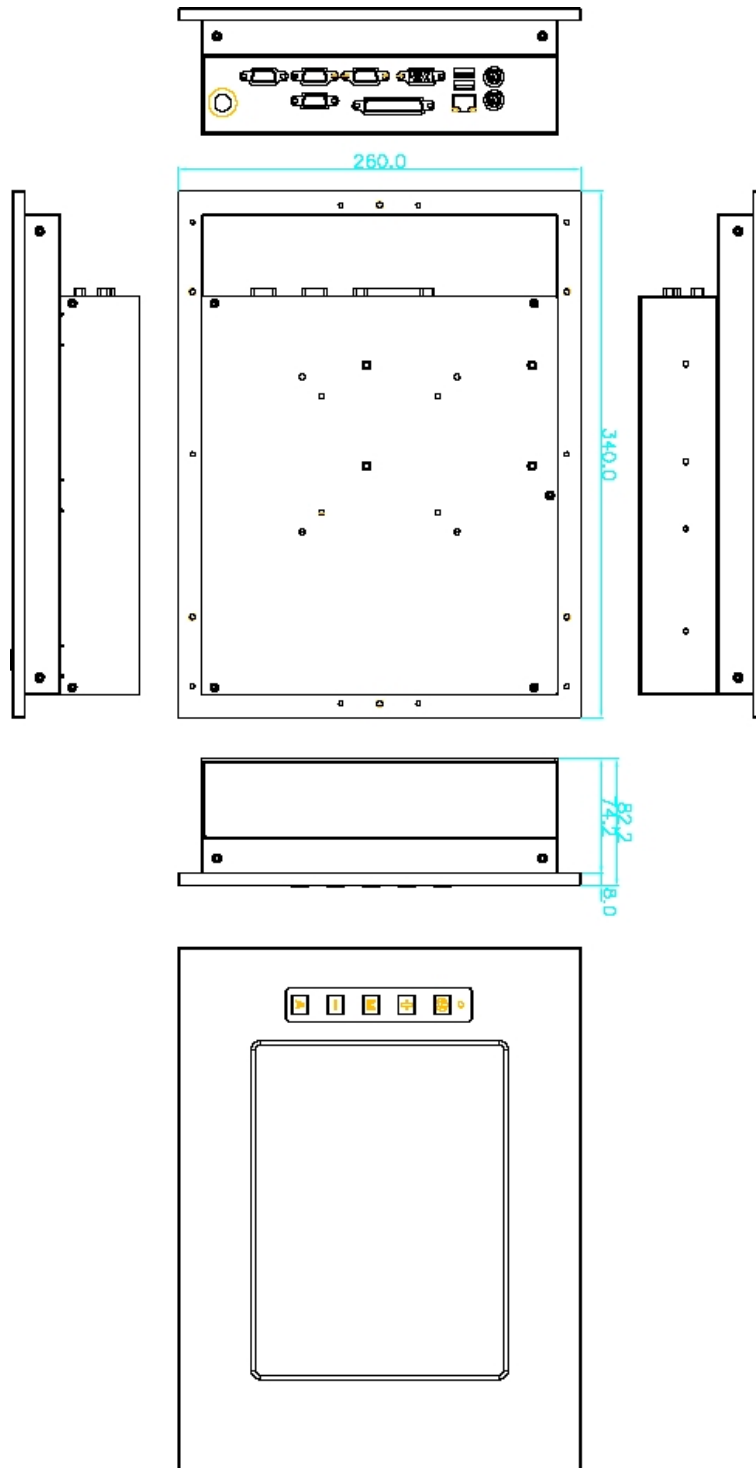
**Option #5: 19" Rack Mount**



Use this adaptor if installing the C-NaviGator to a rack. The 19" Rack Mount takes up 7U of rack space and is 12 1/4" in height. Appropriate hardware is included to secure the C-NaviGator to the Rack Mount prior to mounting. Bolt thread size is M4 x 6mm



**Figure 10: 19" Mounting Kit (for C-NaviGator II) / SYNIWO-6710-7CBR9**



**Figure 11: C-NaviGator II (side USB-port model) Outline Diagram (mm)**

Both inside and outside mounting holes on vesa mount are M4 x 16mm in size.

Inside holes have 75mm spacing

Outside holes have 100mm spacing







