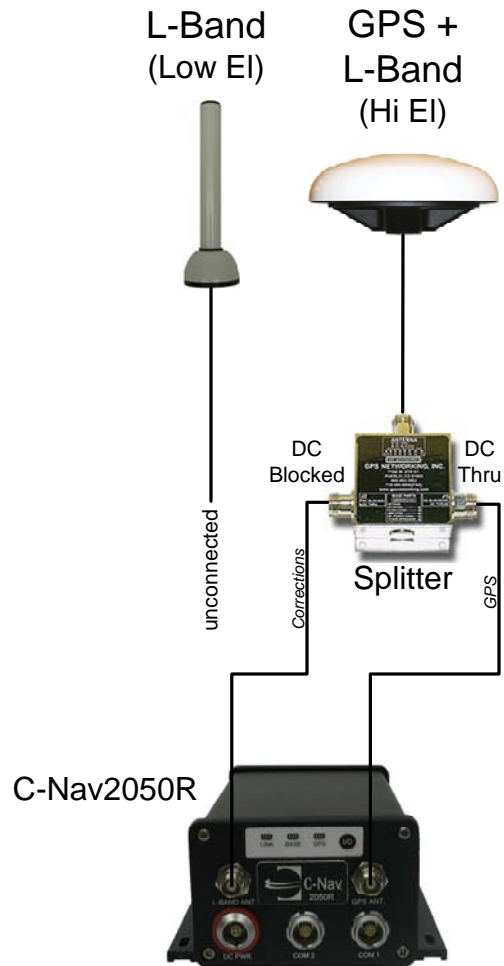
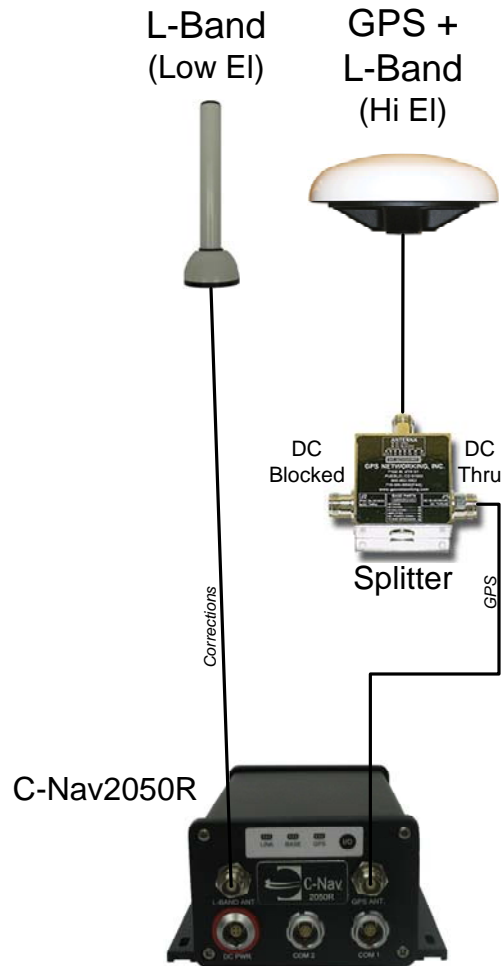


30°-90° Look Angle to Correction SV

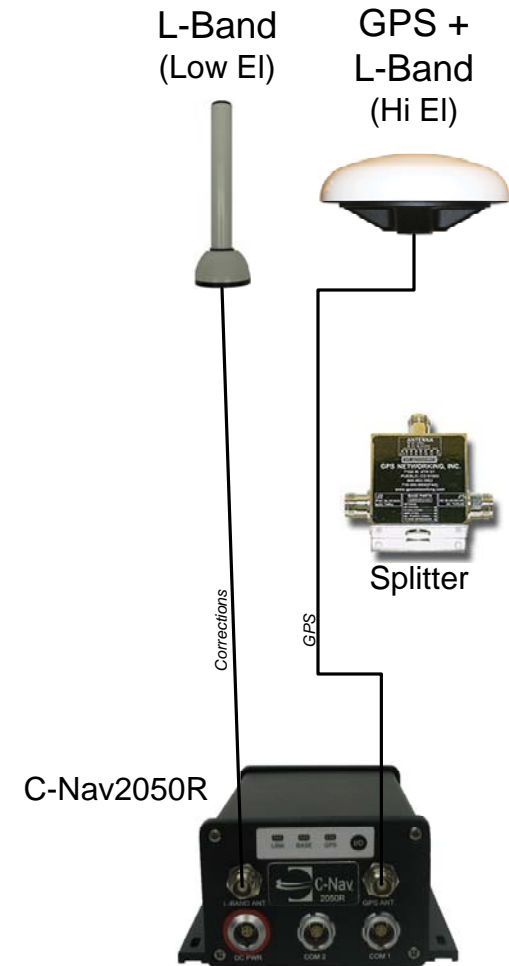


Split GPS and L-band signals.
 GPS signal fed to receiver via splitter.
 L-band signal fed to receiver via splitter.

0°-30° Look Angle to Correction SV



Split GPS and L-band signals.
 GPS signal fed to receiver via splitter.
 L-band signal direct from antenna to receiver port.
 L-band side of splitter unused.



GPS signal direct from antenna to receiver port.
 L-band signal direct from antenna to receiver port.
 Splitter unused.