

Global Explorer ROV

Tailor-made for the scientific community

Professionally-manned, telepresence-enabled ROV leases for special projects in shallow and deep water



FEATURES

Depth rated to 10,000 fsw / 3,000 msw

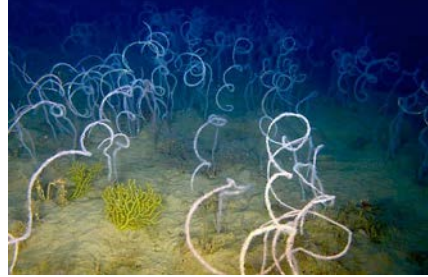
Unmatched imagery with 4K and 3D HDTV

Full suite of scientific sampling tools



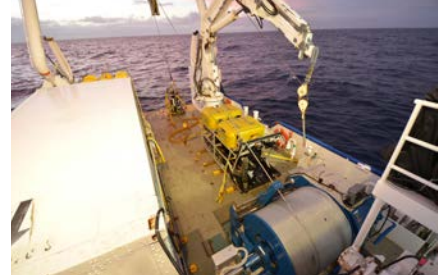
Deliver Science

Global Explorer offers a complete suite of scientific tools for mid-water and benthic sampling, including: detritus sampler, rotary suction sampler, jet pump, push cores/quivers, and an insulated bio box. The Schilling ORION seven-function spatially correspondent manipulator arm extracts fragile coral and artifacts with delicate precision.



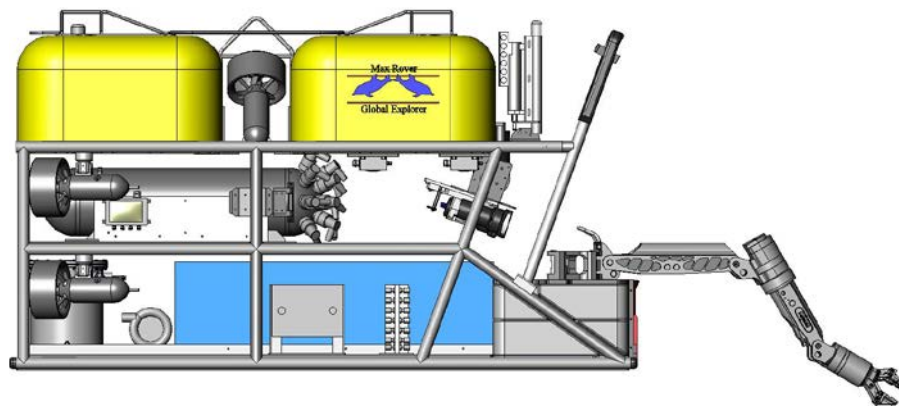
Capture the Deep

Global Explorer delivers unmatched live video imagery and stunning digital stills through a Gigabit Ethernet connection. Optional live satellite broadcast is available for collaboration and remarkable outreach.



Recover Assets

Global Explorer's nimble platform allows for fast, cost-effective transport and mobilization for asset recovery. Mobilization times have been trimmed to two days for mobilization and one day for demobilization. The vehicle deployable from economical vessels as small as 100 ft.



Cameras

- » 4K Ultra-HDTV
- » Stereo 3D HDTV w/ photogrammetry
- » 24 MP DSLR stills
- » Built in laser scaler
- » Extreme low light color HDTV
- » LED lighting 135° by 77° at 5500K

Sensors

- » Multibeam sonar
- » Scanning sonar
- » Sonar altimeter
- » Depth sensor
- » Gyro
- » CTD

Manipulator Arm

- » Schilling ORION seven-function spatially correspondent

Sampling

- » Rotary carousel suction skid
- » Retractable bio box
- » Detritus samplers
- » Push cores and quivers
- » Jet pump